



# Charcoal Oven HJX50M\*BC

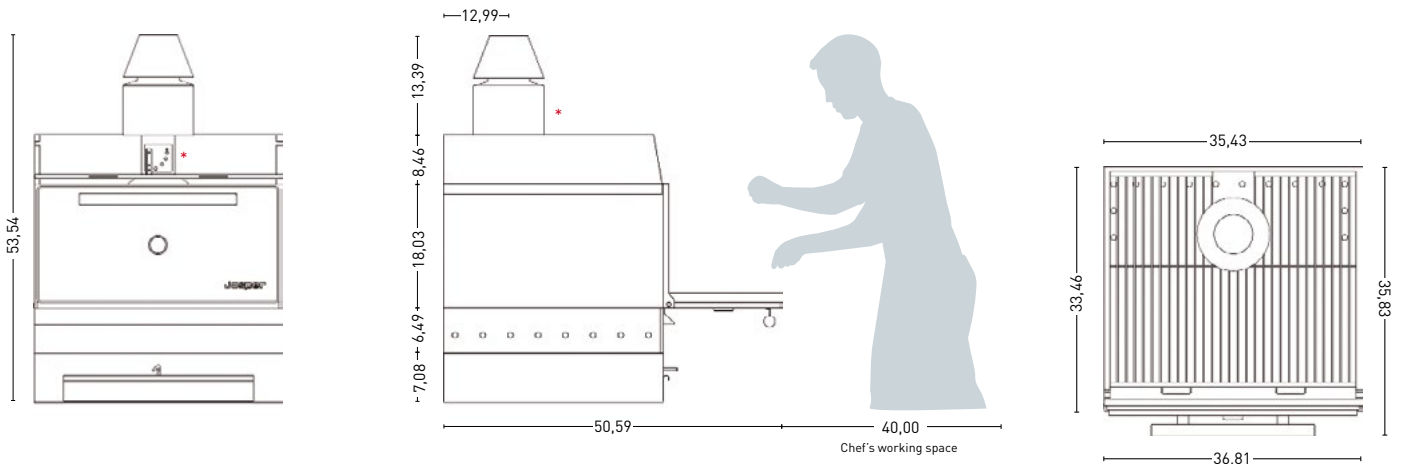
## INCLUDED ACCESSORIES

- Smoke outlet vent
- One cooking grill rack
- Charcoal grates
- Josper tongs
- Bristle brush
- Poker
- Ash hatch and handle
- Ash pan

## OPTIONAL ACCESSORIES

- Extra cooking grill rack
- Firebreak
- Firebreak's hat
- Cookware<sup>4</sup>
- Below cabinet

## TECHNICAL DRAWINGS



## TECHNICAL INFORMATION

Fire up time <sup>1</sup>	40 min average
Josper charcoal daily consumption	35 lb to 44 lb average
Performance	9 h
Production per hour <sup>2</sup>	242.5 lb average
Cooking temperature	572 °F to 662 °F
Oven capacity in GN trays (per grill rack)	2 x GN 1/1 + 2 x GN 1/2
Power equivalence	8 hp
Exhaust rate <sup>3</sup>	2060 cfm
Maximum smoke flow	0.49 oz/s

## INSTALLATION

Recommended installation height	22 in from floor level
Clearance with other cooking equipment	4 in

## BUNDLES: SIZES AND WEIGHTS

Sizes bundle 1	39,8 x 39,8 x 45 in
-	-
-	-
Gross weight bundle 1	734 lb
-	-
-	-

- 1 Please, check our document titled "Fire up and use of the Josper oven".
  - 2 Please, check our "Cookbook".
  - 3 Please, check our document titled "Installation advices of the Josper oven".
  - 4 Please, see our wide range of cookware in our website: [www.josper.es](http://www.josper.es)
- Ovens' sizes and weights are to be considered with the standard accessories and packing.

A continual improvement process may require us to change specifications without any notice. Revised June 2012.